



PRODUCT DESCRIPTION

Spectec's mag-preamps are designed to convert low level sinusoidal signals into stable square wave pulses. They can be used with all magnetic VR type pickups, allowing for greater pickup to target gaps and longer signal transmission distance. The pucks are built to fit "ELBY", "Y", or "GUAL16" type explosion-proof enclosures per 4001 Spec.

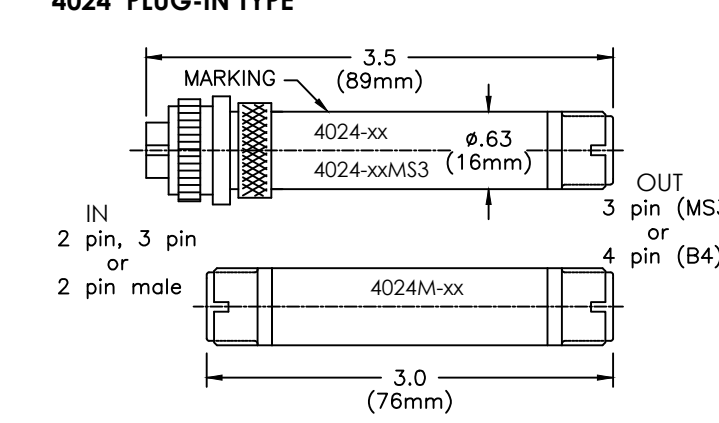
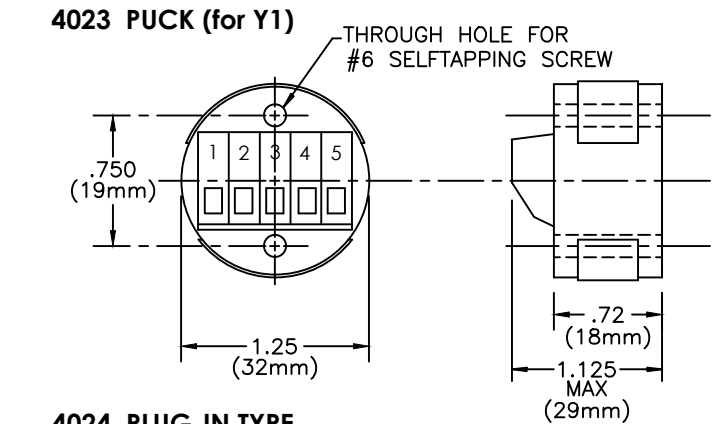
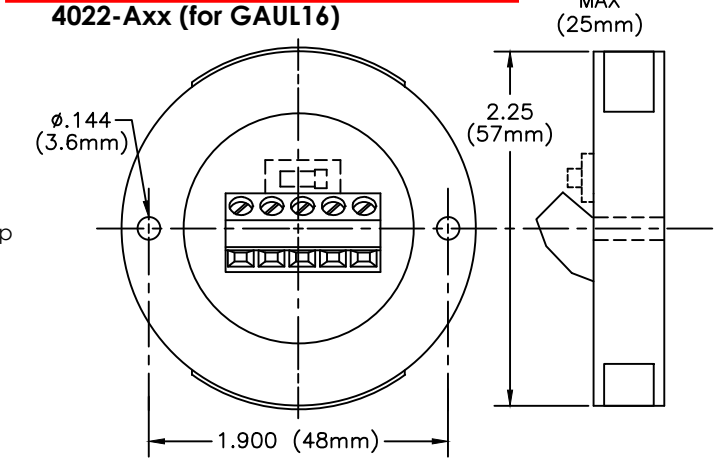
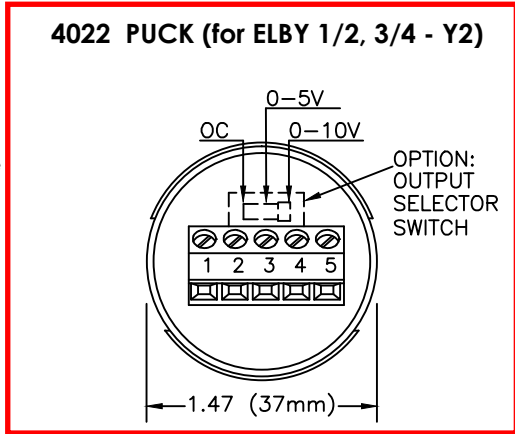
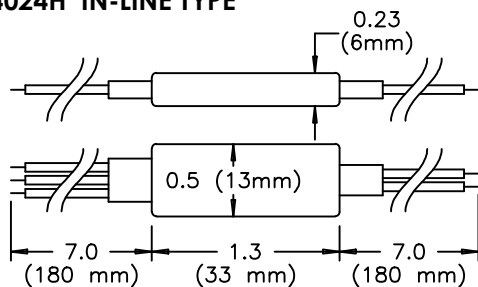
SPECIFICATIONS

- Vs, Supply Voltage:** 7.5 (12) to 30 Vdc regulated
 3.6 Vdc min., unregulated
- Vo, Signal Out:** See page 2
- Is, Supply Current:** 2 mA @ 5 Vdc
 4 mA @ 12 Vdc
 10 mA @ 24 Vdc
 20 mA @ 30 Vdc (OC)
- Input Sensitivity:** 30, 12 or 5 mVpp
 Max input: 140Vpp (Option: 200Vpp Max.)
- Frequency Range:** 3 Hz to 1 kHz at specified sensitivity,
 ~30 kHz at increased signal level,
 varies with target size, distance and pickup sensitivity.
 (For 100 kHz service, specify -5x version)
- Rise/Fall Time (N.L.):** .04 / .18 s (Nom.)
- Distance:** 500 ft. max. pickup to preamp
- Temperature Range:** -40° to 221° F (-40° to 105° C)
- Compliance:** CE: EN55011, EN50022-2

TERMINAL/PIN CONNECTIONS

- 4022, 4023: 1: Vs Supply 4: Mag Pickup
 2: Common 5: Mag Pickup
 3: Vo Signal out
- 4024: See page 2
- 4024H: Red: Vs Supply Yellow: Mag Pickup
 Black: Common Yellow: Mag Pickup
 White: Vo Signal out
 Lead Wires 22 AWG

4024H IN-LINE TYPE



ORDER INFORMATION

4022 - x x MAG PREAMP, PUCK ELBY TYPE

4022 - A x x MAG PREAMP, PUCK Ø2.25

Vo Output Signal

0	— 0 - 12V, NPN (2.2k) @ ≤ 20mA Sink
1	— 0 - 10V, NPN (2.2k) @ ≤ 20mA Sink
2	— 0 - 5V, NPN (2.2k, TTL) @ ≤ 20mA Sink
3	— 0 - Vs, NPN (2.2k) @ ≤ 20mA Sink
4	— 0 - Vs, OC, NPN (Open Collector) @ ≤ 20mA Sink
5	— Selectable, NPN 0 - Vs, OC; 0 - 5V, 0-10V @ ≤ 20mA Sink
6	— 0 - Vs, PNP, OC, 50mA (100 mA max) Sourcing
7	— 0 - Vs, NPN/PNP Universal Sink/Source

Input Sensitivity

0	— 30 mVpp
1	— 12 mVpp
2	— 5 mVpp
5	— 100 mVpp (1.5Vpp @ 100 kHz)

Select Sensitivity Based Upon Your Meter's Sinusoidal Signal Level

4023 - x x MAG. PREAMP, PUCK Y1 TYPE

4024 - x x MAG. PREAMP, TUBULAR IN-LINE TYPE (Male Threaded & Female Threaded Connectors)

4024M - x x MAG. PREAMP, TUBULAR IN-LINE TYPE (Male Threaded Connectors, both ends)

4024H - x x MAG. PREAMP, WAFER TYPE WITH LEAD WIRES

Vo Output Signal

0	— 0 - 12V, NPN (2.2k) @ ≤ 20mA Sink
1	— 0 - 10V, NPN (2.2k) @ ≤ 20mA Sink
2	— 0 - 5V, NPN (2.2k, TTL) @ ≤ 20mA Sink
3	— 0 - Vs, NPN (2.2k) @ ≤ 20mA Sink
4	— 0 - Vs, OC, NPN (Open Collector) @ ≤ 20mA Sink
6	— 0 - Vs, PNP, OC, 50mA (100 mA max) Sourcing
7	— 0 - Vs, NPN/PNP Universal Sink/Source

Input Sensitivity

0	— 30 mVpp
1	— 12 mVpp
2	— 5 mVpp
5	— 100 mVpp (1.5Vpp @ 100 kHz)

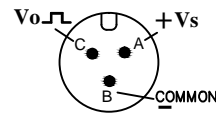
OPTIONS:

For Junction Boxes and adapter hardware, Explosion proof UL & CSA certified, see spec. 4001
For connector cable assemblies, please see spec. 3000
Other options: Please contact sales.

4024 OUTPUT PIN CONNECTIONS

3 Pin (MS3)

Mate MS3106A-10SL-3S



4 Pin (B4)

Mate MS-3116-F8-4S

