

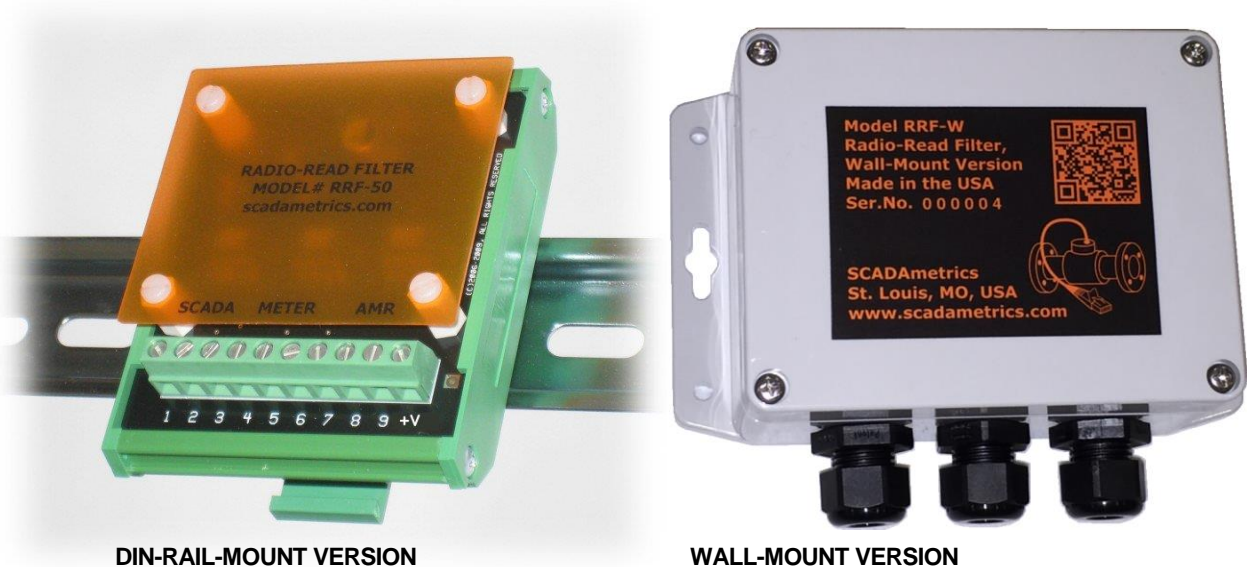
# Radio-Read Filter™

ALLOWS TWO METER-READING DEVICES  
TO CONCURRENTLY READ A WATER METER

2 YEAR  
WARRANTY



AWWA C707-05  
COMPLIANT



DIN-RAIL-MOUNT VERSION

WALL-MOUNT VERSION

## Wiring Diagrams

20 June 2018

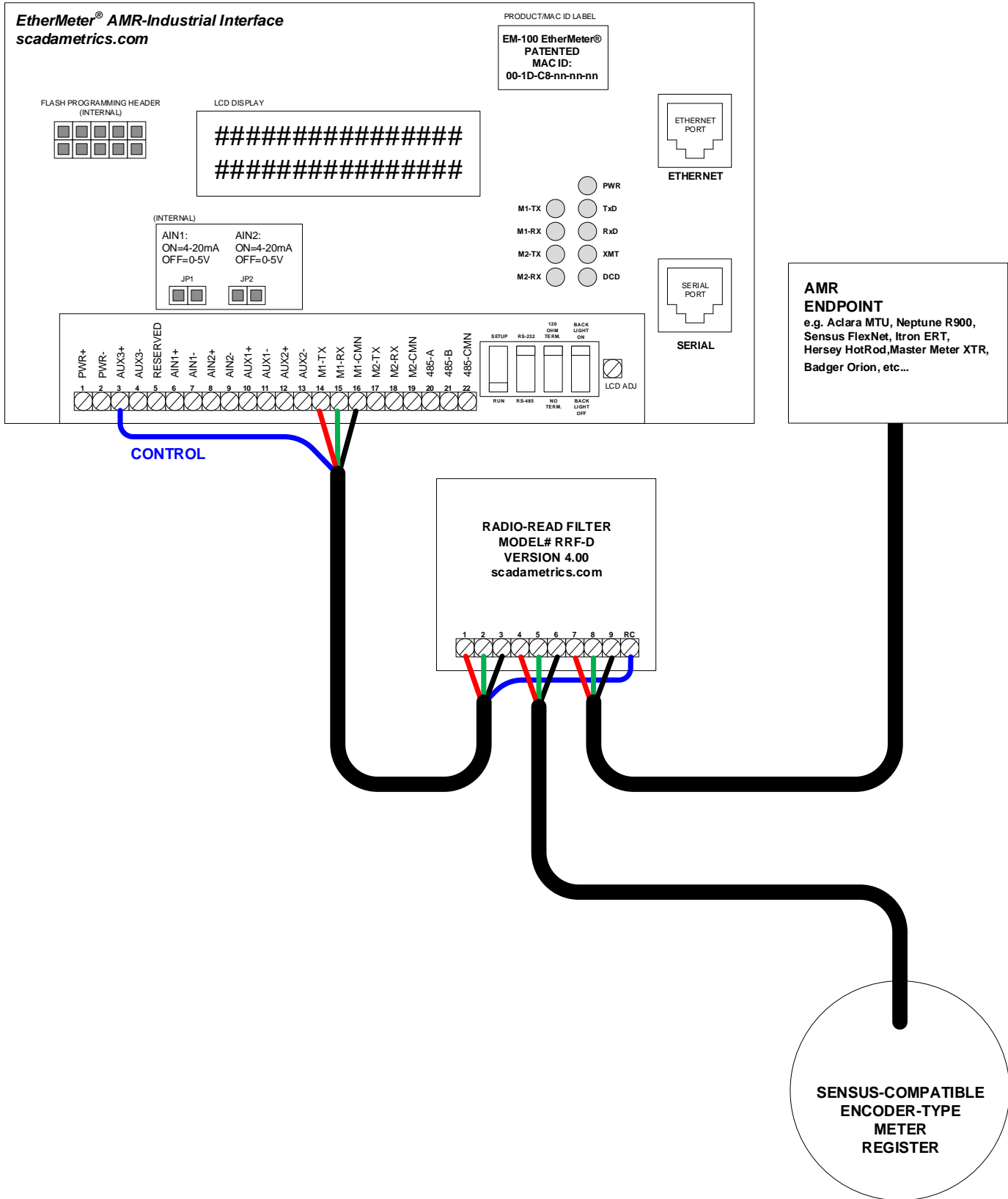
- <sup>1</sup> The RRF-D and RRF-W are designed for applications where the EtherMeter® is one of the endpoints. If an EtherMeter is not to be part of the application, it is the responsibility of the user to verify compatibility.
- <sup>2</sup> See the Compatibility Matrix at [scadmetrics.com](http://scadmetrics.com) for full compatibility details.
- <sup>3</sup> The RRF-D and RRF-W are rated for the following environmental conditions:  
Temperature: -30C to +85C. Relative Humidity: 5% to 95%, Non-Condensing.
- <sup>4</sup> The RRF-D and RRF-W are not pit-compatible unless potted by user.
- <sup>5</sup> The REMOTE-CONTROL(BOOST) wire may not be required in all instances. Verification testing is recommended before removing the REMOTE-CONTROL(BOOST) wire.
- <sup>6</sup> In Applications where an EtherMeter is used in conjunction with a third-party meter interface, the EtherMeter should always be wired to RRF terminals 1,2,3; and the third-party interface should be wired to RRF terminals 7,8,9.
- <sup>7</sup> The RRF-W should be mounted with the 3 cable glands pointing downward.

AUTHORIZED SCADAMETRICS RESELLER

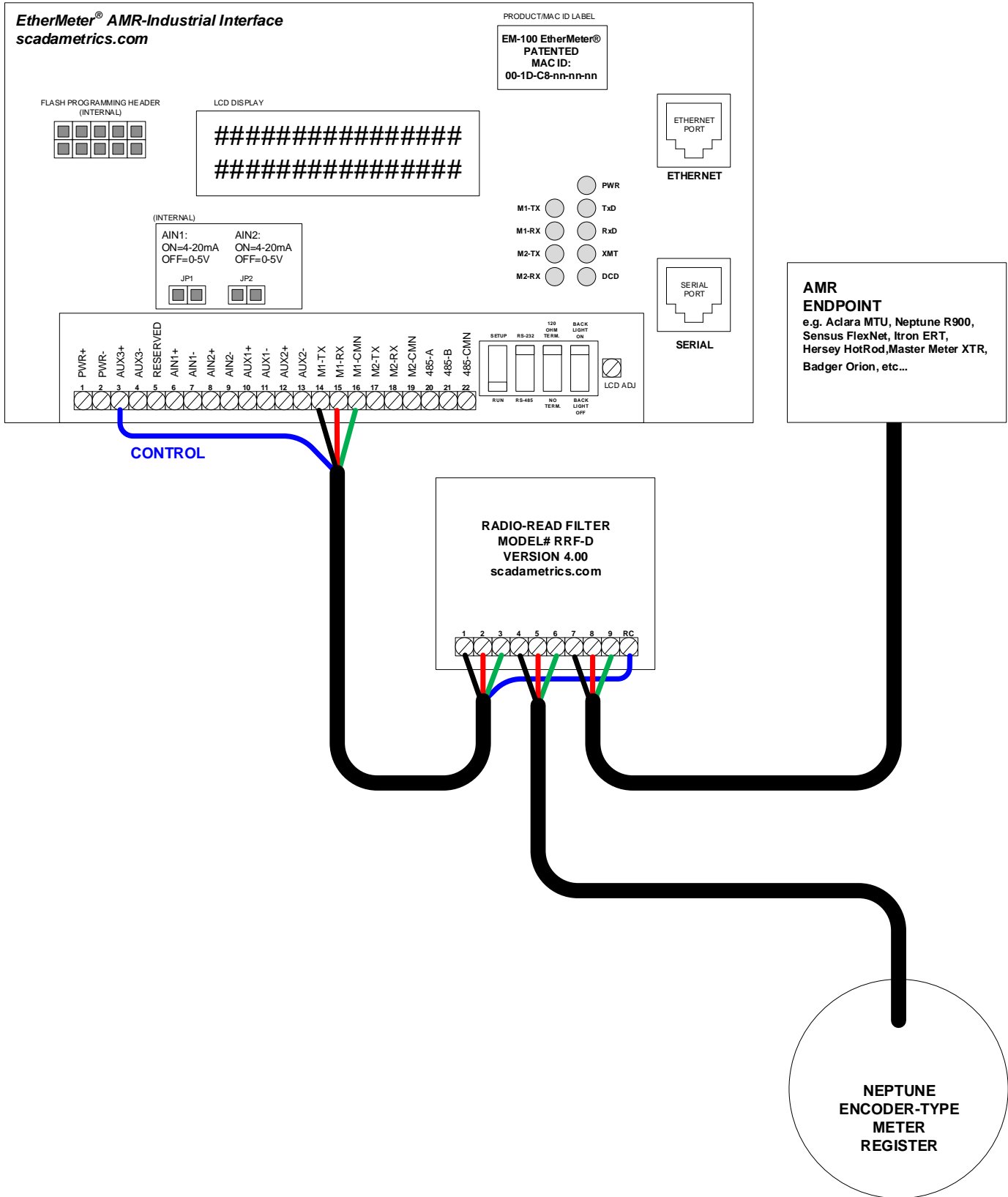
**SCADAmetrics**  
St. Louis, Missouri USA  
[scadmetrics.com](http://scadmetrics.com)



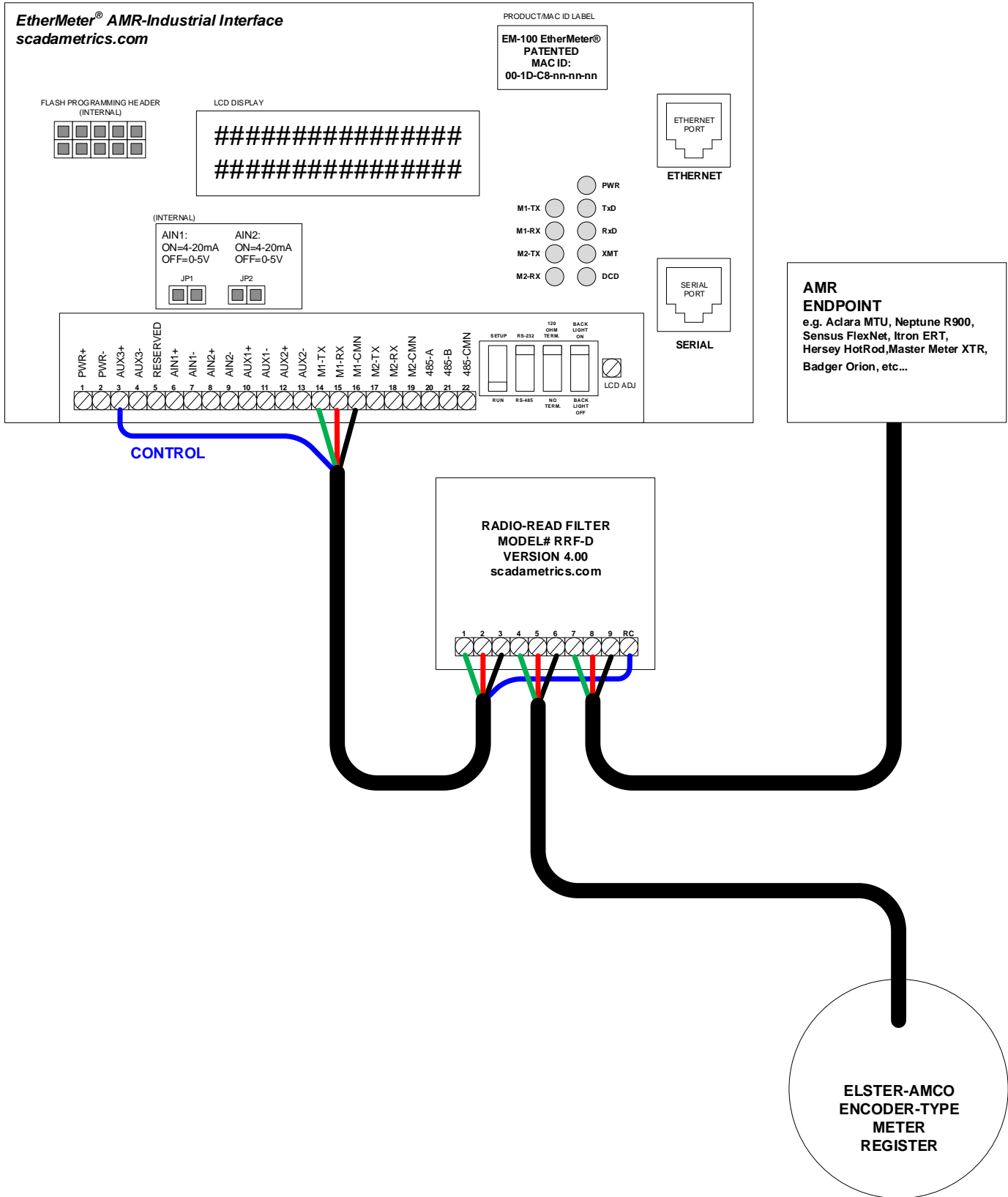
# PARALLEL AUTOMATION SYSTEM / AMR SYSTEM HOOKUP FOR ONE (1) SENSUS-COMPATIBLE REGISTER



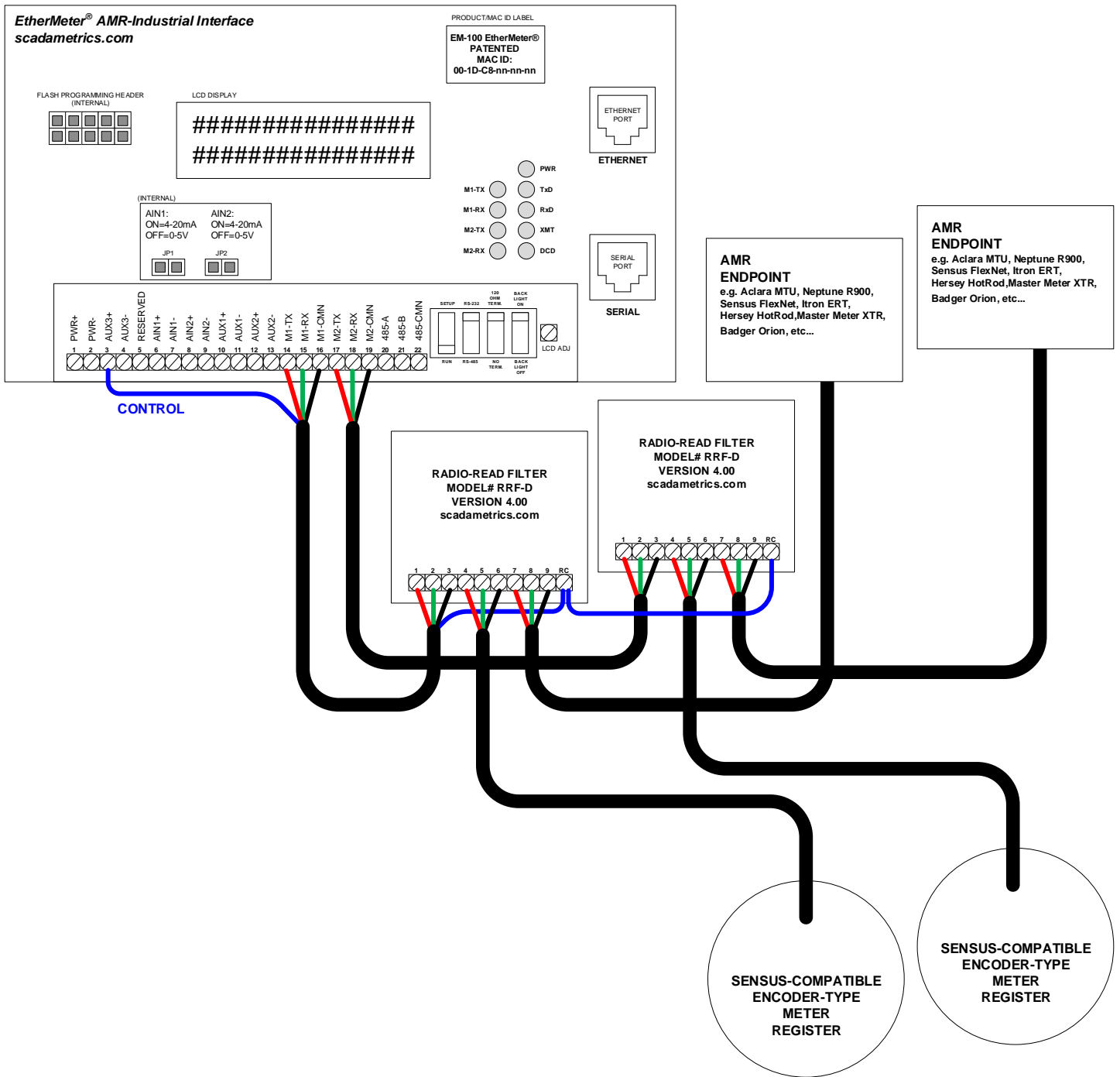
# PARALLEL AUTOMATION SYSTEM / AMR SYSTEM HOOKUP FOR ONE (1) NEPTUNE REGISTER



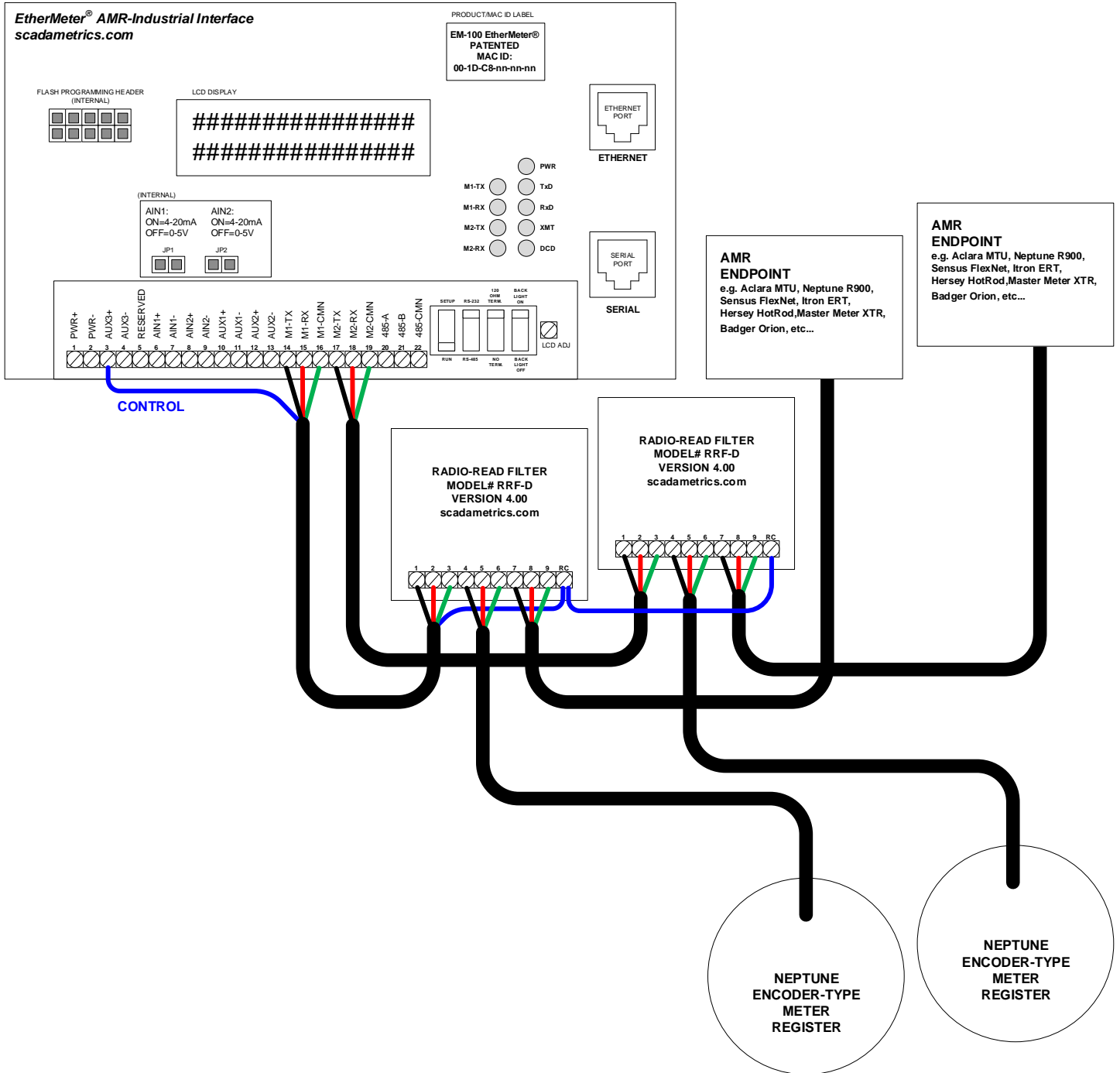
# PARALLEL AUTOMATION SYSTEM / AMR SYSTEM HOOKUP FOR ONE (1) ELSTER-AMCO REGISTER



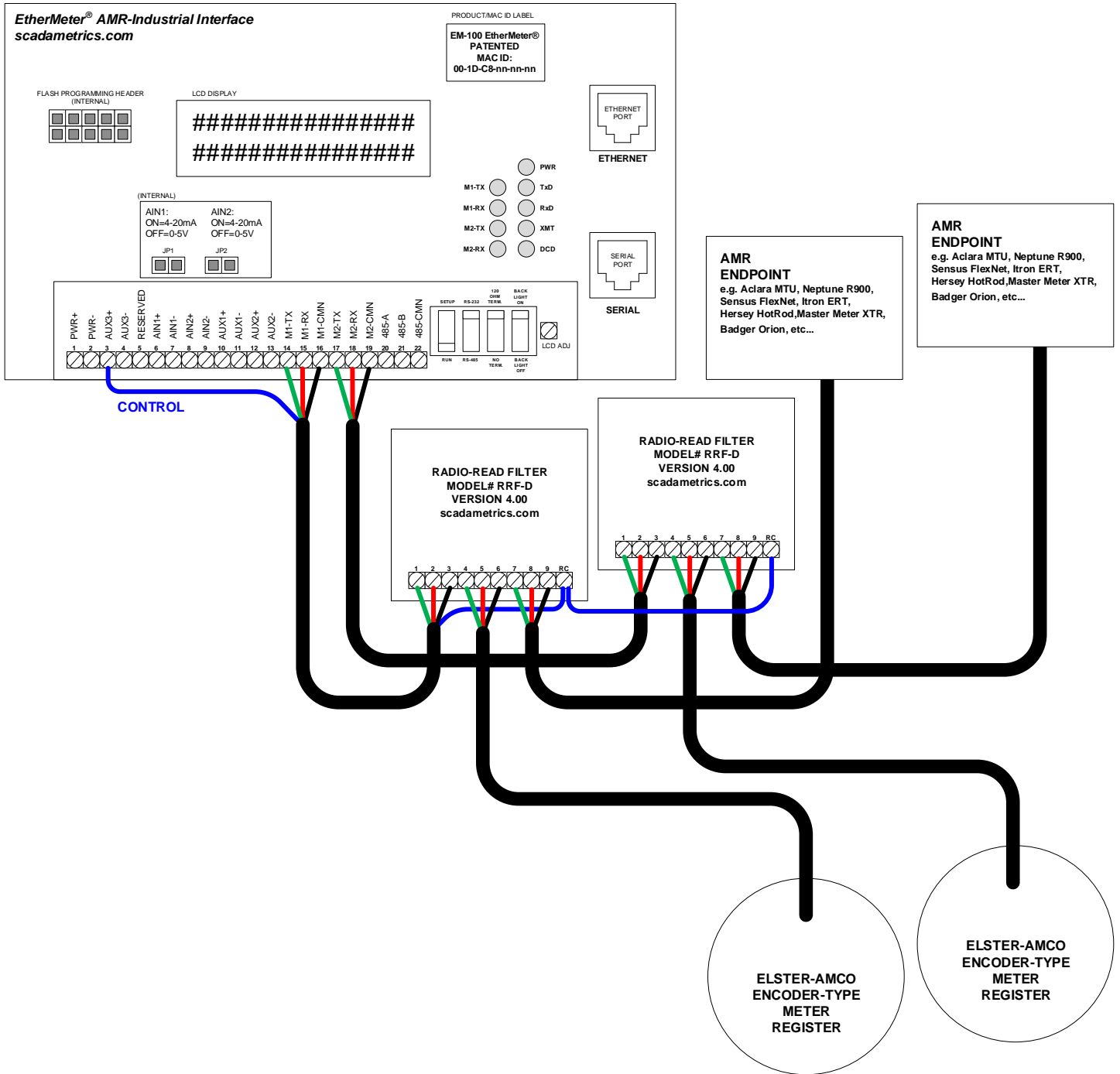
# PARALLEL AUTOMATION SYSTEM / AMR SYSTEM HOOKUP FOR TWO (2) SENSUS-COMPATIBLE REGISTERS



# PARALLEL AUTOMATION SYSTEM / AMR SYSTEM HOOKUP FOR TWO (2) NEPTUNE REGISTERS

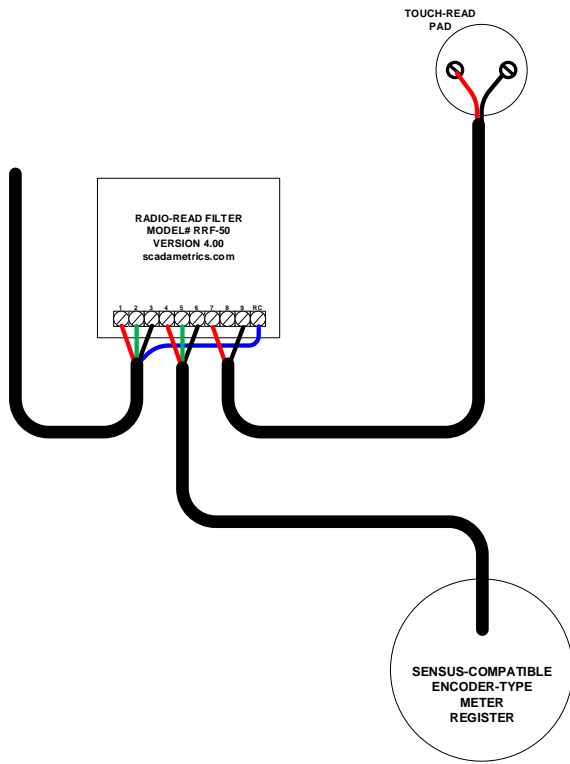


# PARALLEL AUTOMATION SYSTEM / AMR SYSTEM HOOKUP FOR TWO (2) ELSTER-AMCO REGISTERS

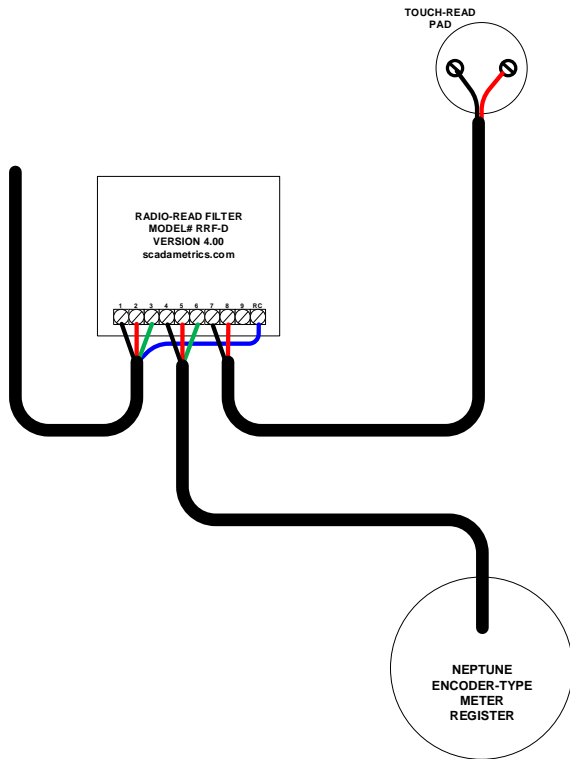




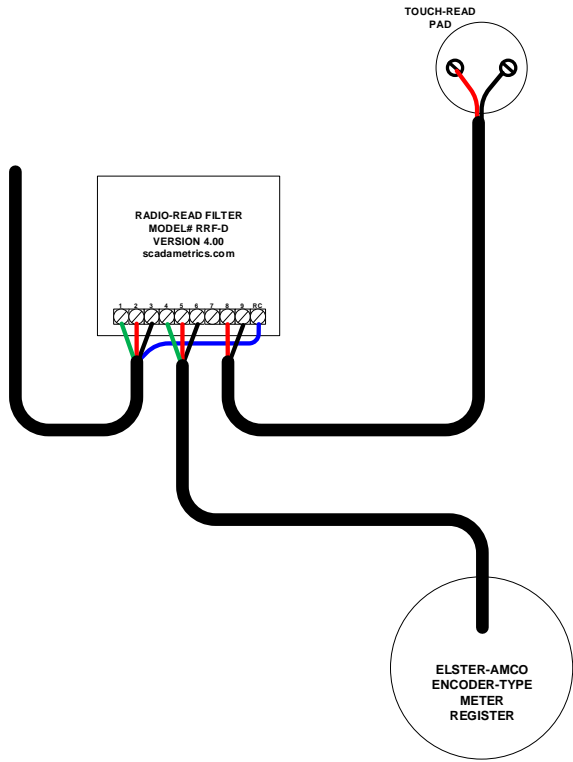
# PARALLEL TOUCH-PAD HOOKUPS



**SENSUS-COMPATIBLE  
TOUCHPAD HOOKUP**



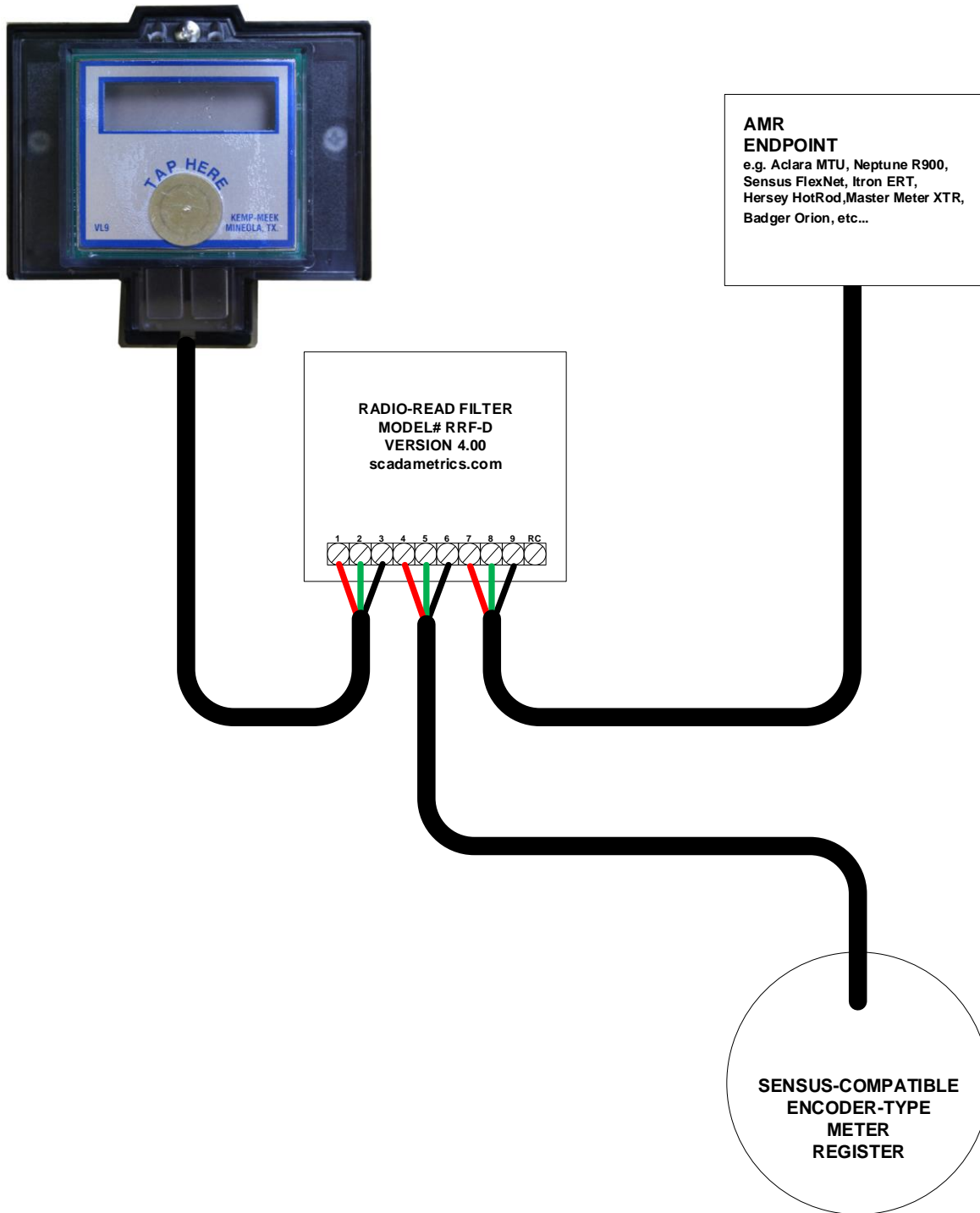
**NEPTUNE  
TOUCHPAD HOOKUP**



## ELSTER-AMCO TOUCHPAD HOOKUP

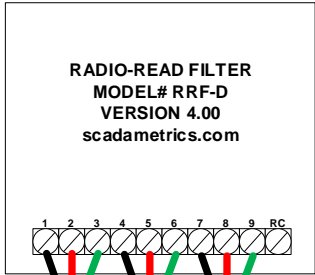
# PARALLEL 'VISULINK' METER DISPLAY UNIT HOOKUP

VL9 VisuLink  
Meter Display Unit  
By Kemp-Meek Manufacturing Company

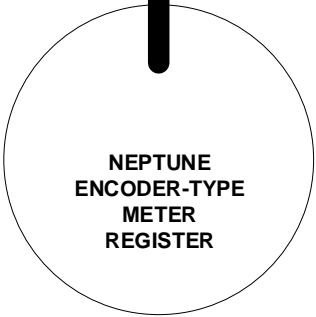


# SENSUS-COMPATIBLE METER / VISULINK HOOKUP

VL9 VisuLink  
Meter Display Unit  
By Kemp-Meek Manufacturing Company

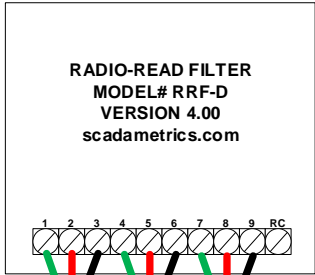


**AMR  
ENDPOINT**  
e.g. Aclara MTU, Neptune R900,  
Sensus FlexNet, Itron ERT,  
Hersey HotRod, Master Meter XTR,  
Badger Orion, etc...

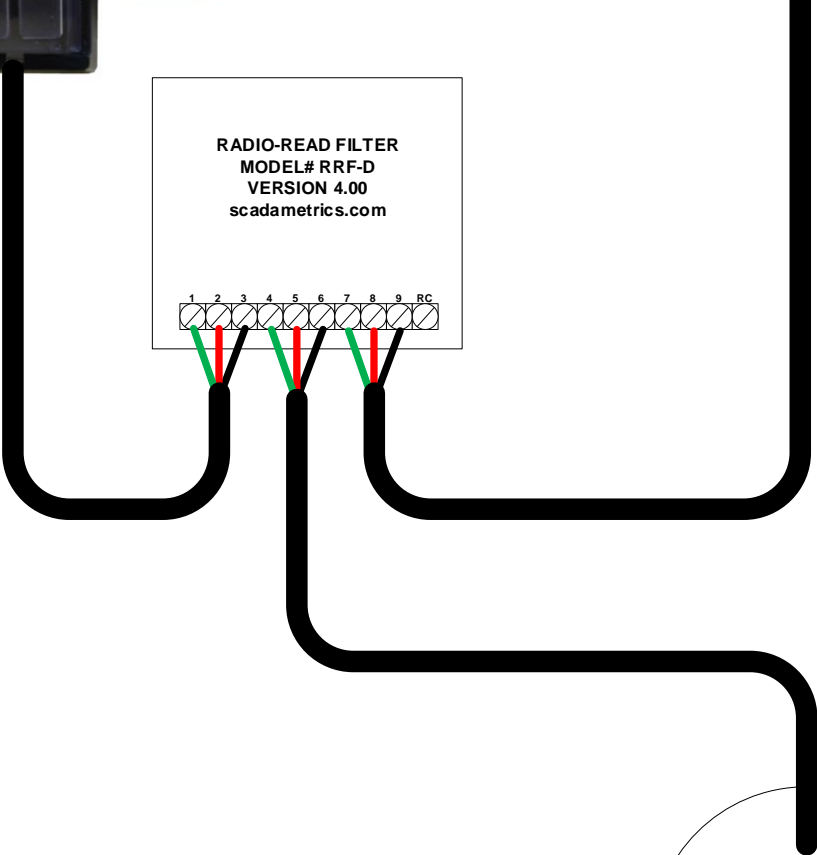


**NEPTUNE METER / VISULINK HOOKUP**

VL9 VisuLink  
Meter Display Unit  
By Kemp-Meek Manufacturing Company



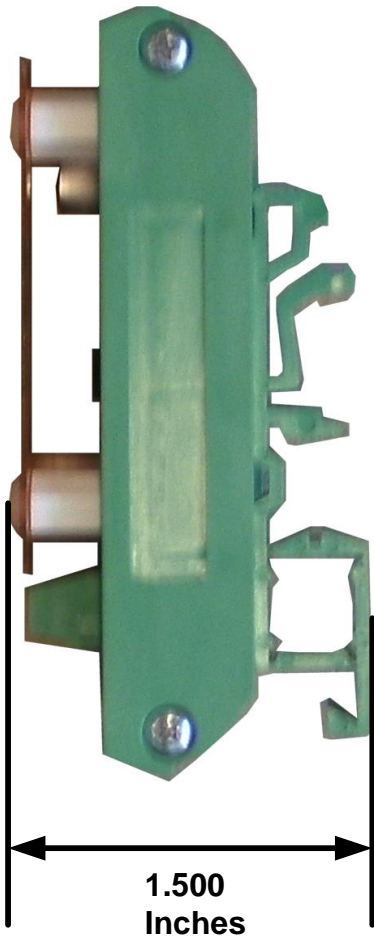
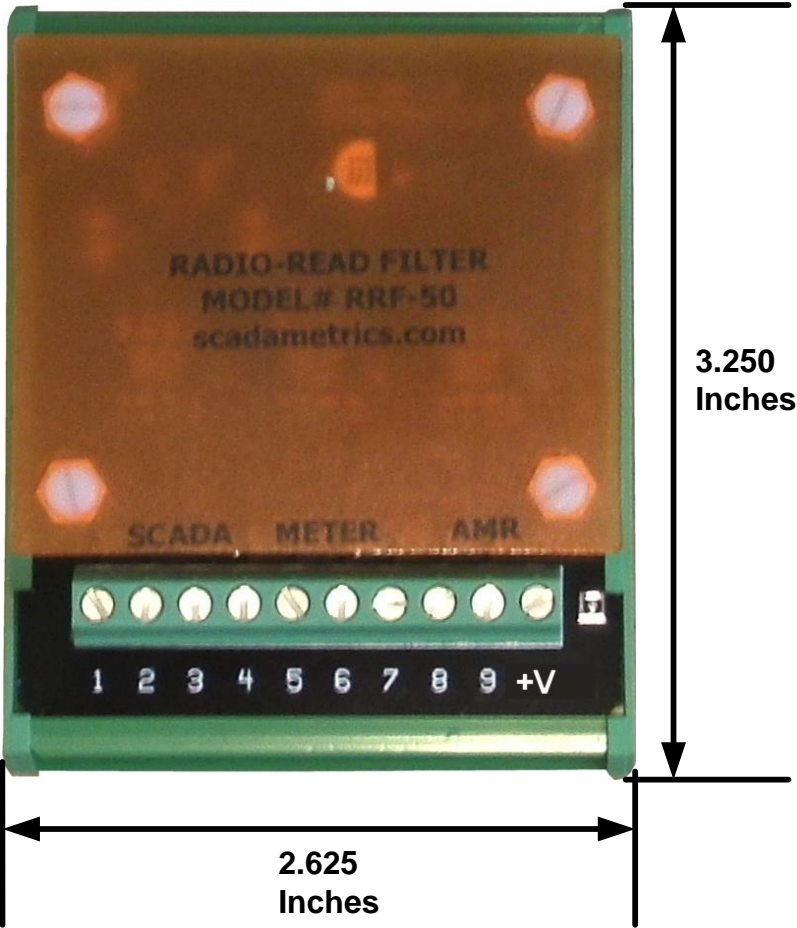
**AMR  
ENDPOINT**  
e.g. Aclara MTU, Neptune R900,  
Sensus FlexNet, Itron ERT,  
Hersey HotRod, Master Meter XTR,  
Badger Orion, etc...



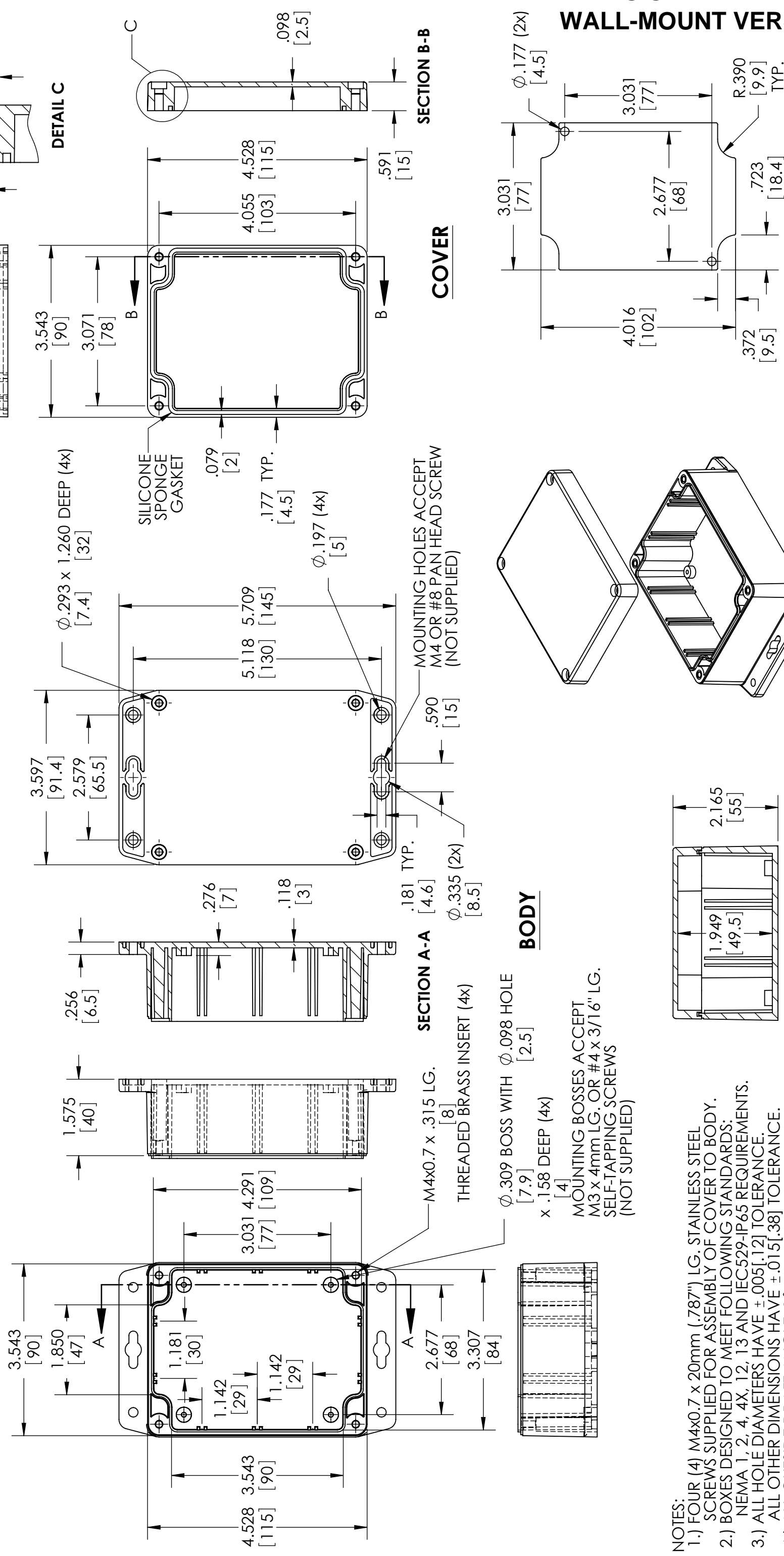
**ELSTER-AMCO  
ENCODER-TYPE  
METER  
REGISTER**

**ELSTER-AMCO METER / VISULINK HOOKUP**

# DIMENSIONAL DRAWINGS DIN-RAIL-MOUNT VERSION



**MATERIAL & FINISH:**  
 (-MB SUFFIX PART NO.) POLYCARBONATE UL94-HB, UV STABILIZED, SERVICE TEMPERATURE RANGE: -40°C TO +120°C, LIGHT GRAY BODY & COVER.  
 (-CMB SUFFIX PART NO.) SAME AS -MB EXCEPT CLEAR COVER.  
 (-DGMB SUFFIX PART NO.) ABS UL94-HB, SERVICE TEMPERATURE RANGE: -40°C TO +80°C, DARK GRAY BODY & COVER.



# DIMENSIONAL DRAWINGS WALL-MOUNT VERSION

**SUGGESTED PC BOARD  
LAYOUT**

- NOTES:**
- 1.) FOUR (4) M4x0.7 x 20mm (.787") LG. STAINLESS STEEL SCREWS SUPPLIED FOR ASSEMBLY OF COVER TO BODY.
  - 2.) BOXES DESIGNED TO MEET FOLLOWING STANDARDS:  
NEMA 1, 2, 4, 4X, 12, 13 AND IEC529-IP65 REQUIREMENTS.
  - 3.) ALL HOLE DIAMETERS HAVE ±.005[.12] TOLERANCE.  
ALL OTHER DIMENSIONS HAVE ±.015[.38] TOLERANCE.
  - 4.) ALL OUTSIDE DRAFT ANGLE: 1°.  
ALL INSIDE DRAFT ANGLE: 1/2°