

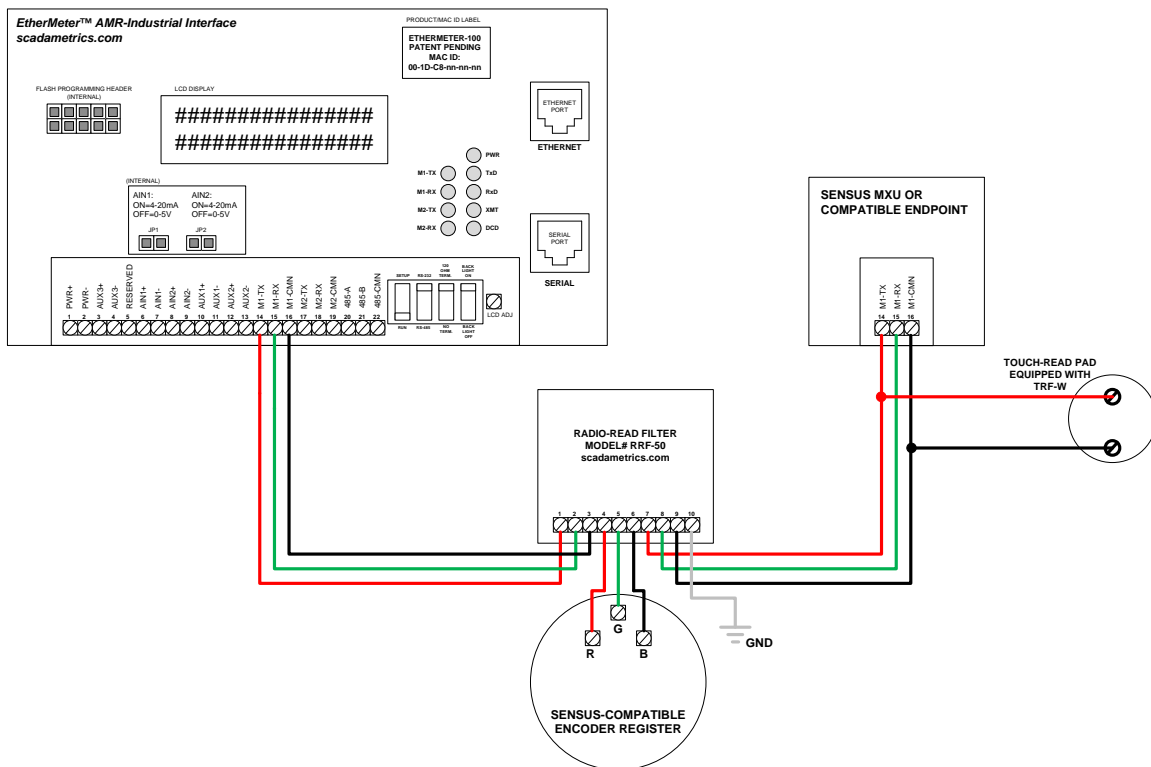
Application Note 012
Version 001
05 Nov 2010

Connecting A Parallel EtherMeter, Radio-Read, and Touch-Read.

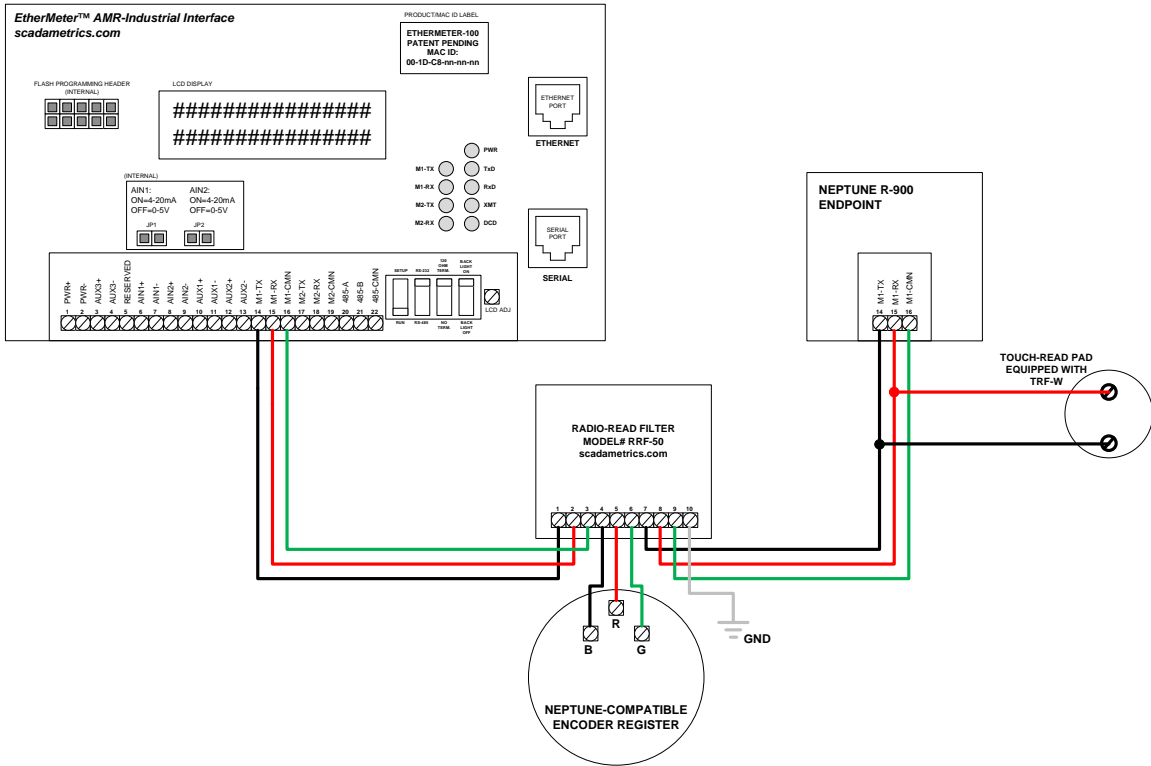
This document describes the wiring procedures for connecting an encoder-based water meter simultaneously to the following types of reading systems:

- Automation System (SCADA, Telemetry, or Building Automation System)
- Radio-Read System
- Touch-Read System

Wiring For a Sensus-Compatible Water Meter:



Wiring For A Neptune-Compatible Water Meter:



Wiring For An Elster-Compatible Water Meter:

